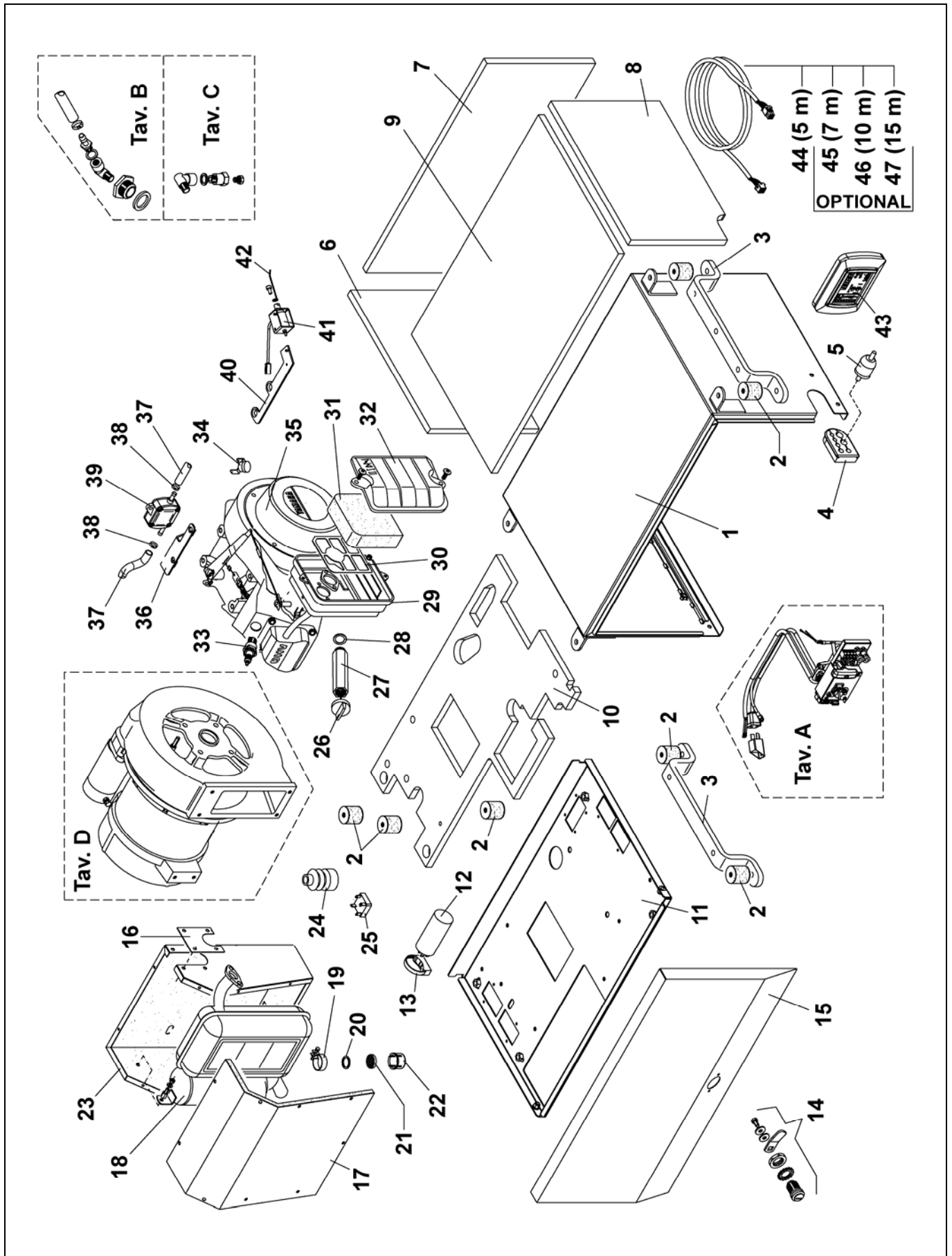




Pos.	Description	Pos.	Description
1	Electronic control panel	13	"Manual/Automatic" switch
2	Electronic control panel connector	14	Starter
3	Startup relay	15	Ignition coil
4	Electronic control board	16	Fuel pump (optional)
5	Optional connector	17	Automatic air electromagnet
6	Rotor	18	Fuel reserve
7	Alternator	19	Engine temperature thermostat
8	Stator	20	Low oil level float
9	Condenser	21	Startup battery connection terminals
10	Power connection terminal board	22	Diode bridge protection fuse
11	Thermal switch	A	Battery charger terminal
12	Diode bridge		

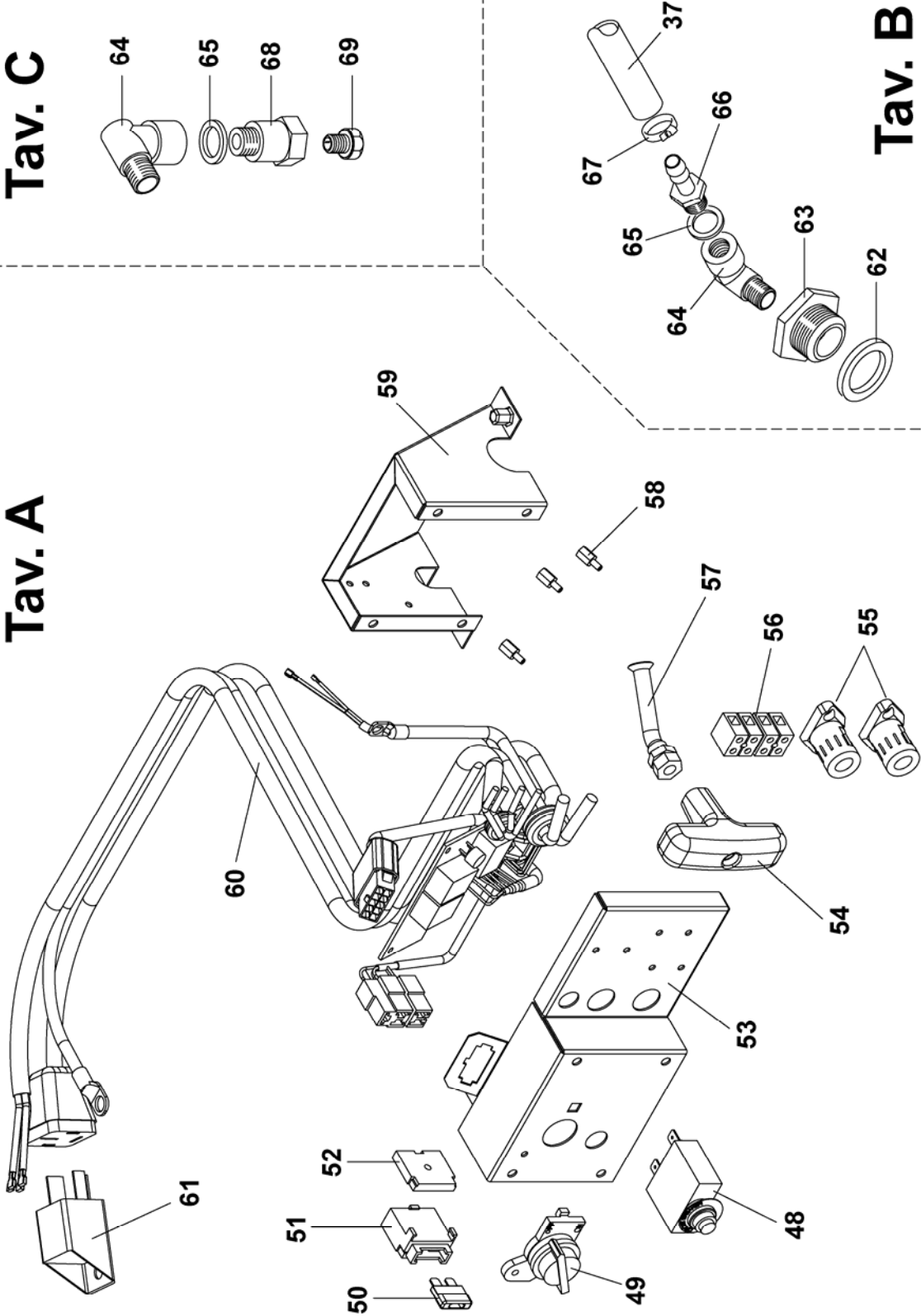
DRAWING FOR SPARE PARTS LIST ENERGY 2500 B



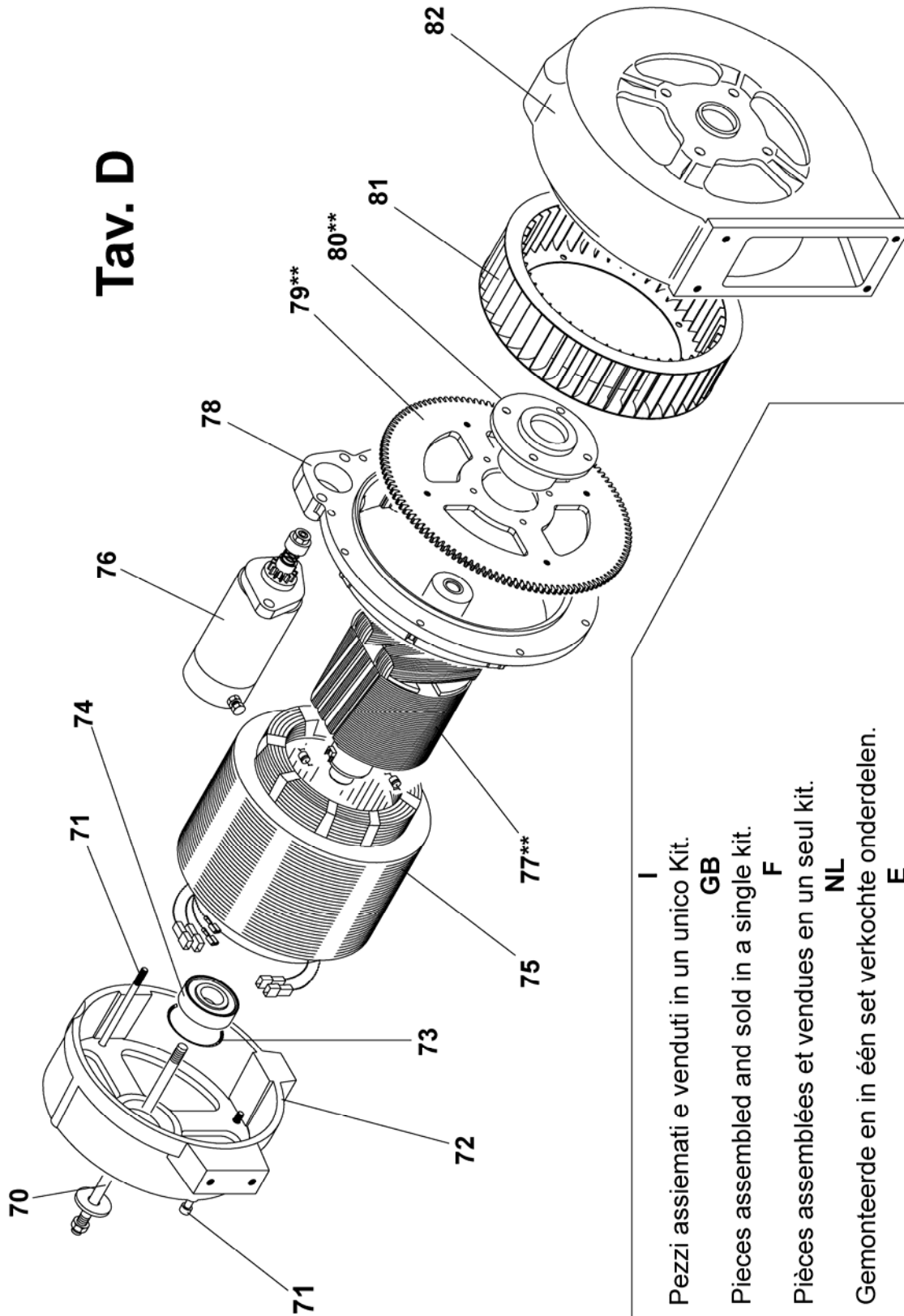
Tav. A

Tav. C

Tav. B



Tav. D



I
GB
F
NL
E
D

** Pezzi assieme e venduti in un unico Kit.
 ** Pieces assembled and sold in a single kit.
 ** Pièces assemblées et vendues en un seul kit.
 ** Gemonteerde en in één set verkochte onderdelen.
 ** Piezas unidas y vendidas en un kit único.
 ** Zusammengesetzte Teile, die nicht einzeln, sondern nur als Kit erhältlich sind.