



Telair

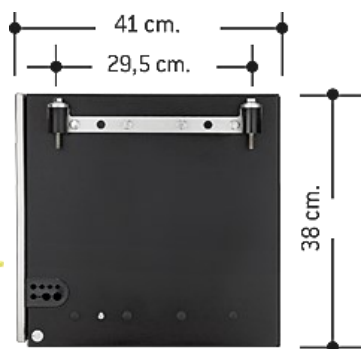
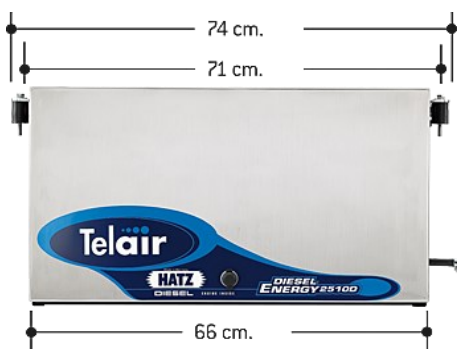
Technical features

Energy 2510 D

Engine	HATZ 1B20 V
2-pole alternator	Sincron
Max. power output	2,2 KW - 230V
Frequency	50 Hz
Starting	Electric
Noise level	63 dBA (7m)
Max fuel	
Dimensions	38x66x41 cm
Weight	98 kg.

Telair Energy 2510D

GENERATOR with DIESEL engine for extra-low consumption. Can be installed by directly connecting it to the DIESEL vehicle fuel tank, thus making any auxiliary tank unnecessary. Placed in a double sound-proofed metal casing, equipped with a fully automatic electronic starter system with remote control panel and a 5 metre long cable, including: total and partial hour counter plus overheating, oil and fuel level indicator warning lights.



Call 0203 206 7476 or email sales@telairgenerators.co.uk for further information and up to date prices

www.telairgenerators.co.uk